

Meraki MR11/14

Hardware Installation Guide

Trademarks

Meraki, Meraki MR11/14, Meraki Cloud Controller, and Meraki Mesh are trademarks of Meraki, Inc. Other brand and product names are registered trademarks or trademarks of their respective holders.

Statement of Conditions

In the interest of improving internal design, operational function, and/or reliability, Meraki reserves the right to make changes to the products described in this document without notice. Meraki does not assume any liability that may occur due to the use or application of the product(s) or circuit layout(s) described herein.

Warranty

Meraki, Inc. provides a limited warranty on this product. Warranty details may be found at www.meraki.com/legal

Table of Contents

1	Scope of Document and Related Publications	4
2	MR14 Overview	5
2.1	Package Contents	5
2.2	Understanding the MR14	5
2.3	Security Features	7
2.4	Power Source Options	7
2.5	Factory Reset Button	7
2.6	LED Indicators and Run Dark Mode	7
2.7	UL 2043 Plenum rating	7
3	Pre-Install Preparation	8
3.1	Configure Your Network in Dashboard	8
3.2	Check and Upgrade Firmware	8
3.3	Check and Configure Firewall Settings	8
3.4	Assigning IP Addresses to MR14s	9
3.4.1	Dynamic Assignment	9
3.4.2	Static Assignment	9
3.5	Collect Tools	10
3.6	Collect Additional Hardware for Installation	10
4	Installation Instructions	11
4.1	Choose Your Mounting Location	11
4.2	Install the MR14	11
4.2.1	Attach the Mount Plate	11
4.2.1.1	Wall or Solid Ceiling Mount Using Mount Plate	13
4.2.1.2	Drop Ceiling Mount Using Mount Plate	14
4.2.1.3	Electrical Junction Box Mount Using Mount Plate	18
4.2.2	Power the MR14	18
4.2.2.1	Powering the MR14 with Meraki 802.3af Power over Ethernet Injector	19
4.2.2.2	Powering the MR14 with an 802.3af Power over Ethernet Switch	19
4.2.3	Mount the MR14	20
4.2.3.1	Assemble Security Hasp to the MR14	20
4.2.3.2	Assemble MR14 to the Mount Plate	21
4.2.3.3	Desk or Shelf Mount	23
4.2.3.4	Wall or Solid Ceiling Mount without Mount Plate	23
4.2.3.5	Plenum Mount (Above Drop Ceiling)	24
4.3	Secure the MR14	25
4.3.1	Security Screw	25
4.3.2	Pad Lock	25
4.3.3	Kensington Lock	25
4.4	Verify Device Functionality and Test Network Coverage	26
5	Troubleshooting	26
6	Regulatory Information	27

1 **Scope of Document and Related Publications**

The MR11/14 Hardware Installation Guide describes the installation procedure for the MR11 and MR14 access points.

Note: All instructions in this hardware installation guide reference the MR14 product but apply equally to the MR11.

Additional reference documents are available online at www.meraki.com/library/products.

2 MR14 Overview

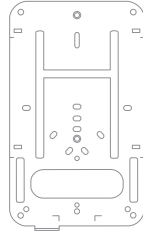
The Meraki MR14 is an enterprise-class 802.11n access point that enables you to create high-speed, reliable wireless networks in even the most challenging RF environments quickly, easily, and cost-effectively.

2.1 Package Contents

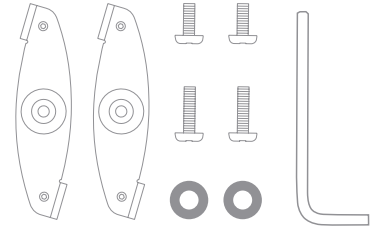
The MR14 package contains the following:



MR14 access point



Mounting plate



Drop ceiling mounting kit



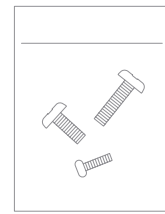
Security hasp and mount screw



Wall screws & anchors



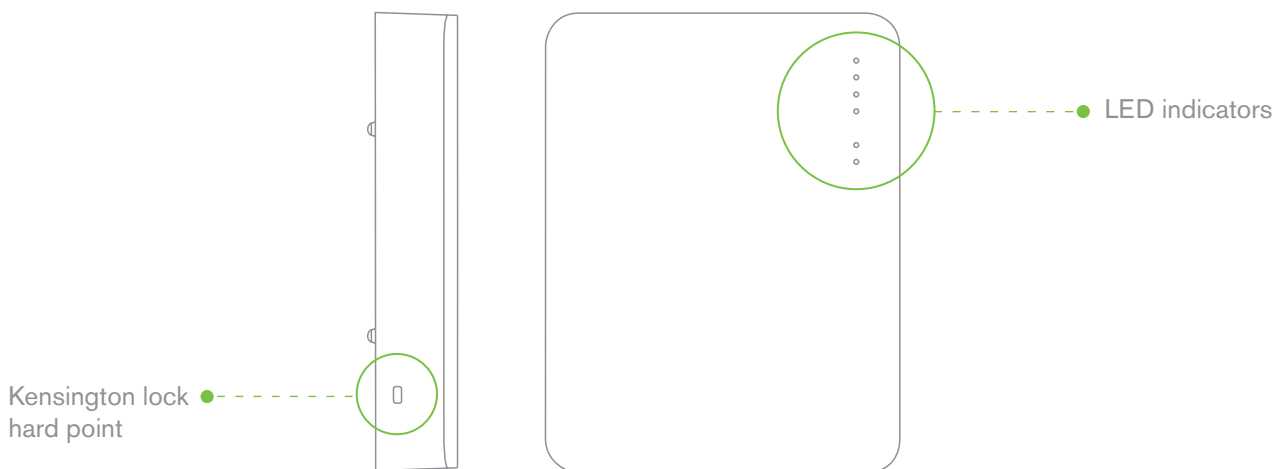
Security screws



Spare hardware kit

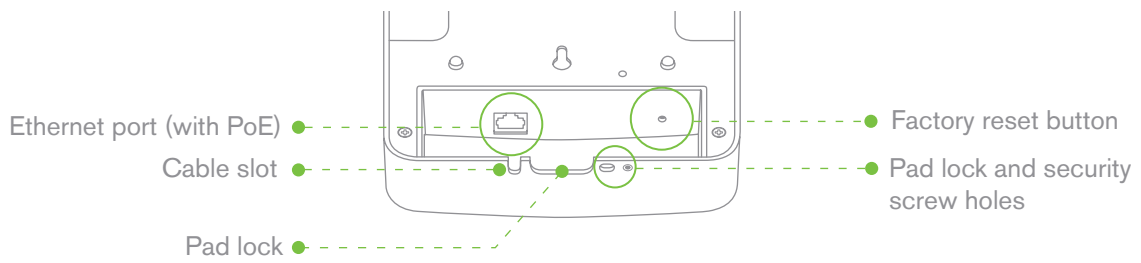
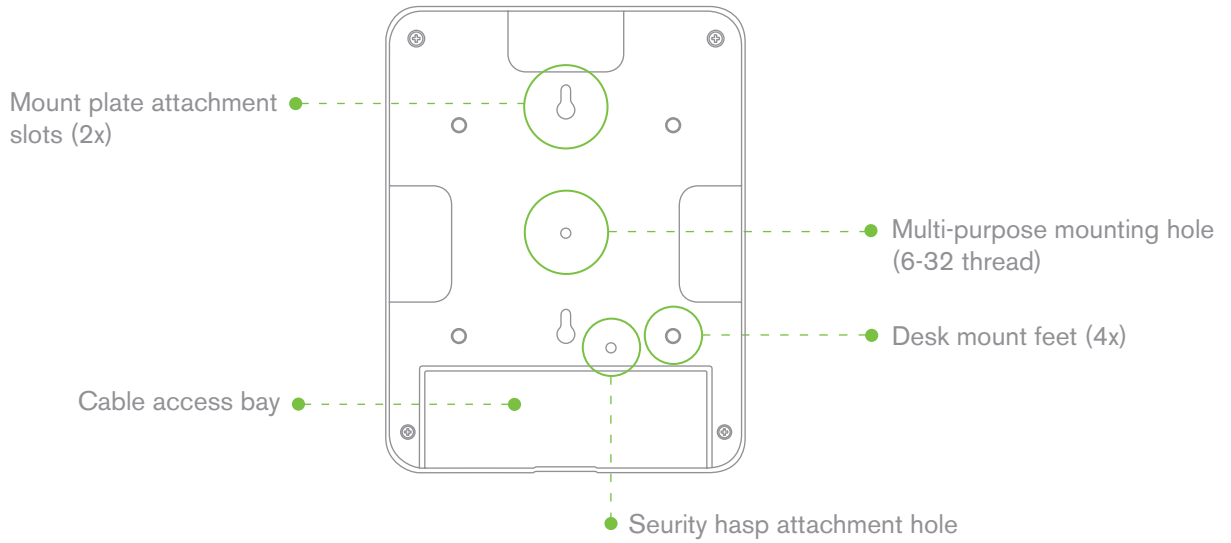
2.2 Understanding the MR14

Your Meraki MR14 has the following features:

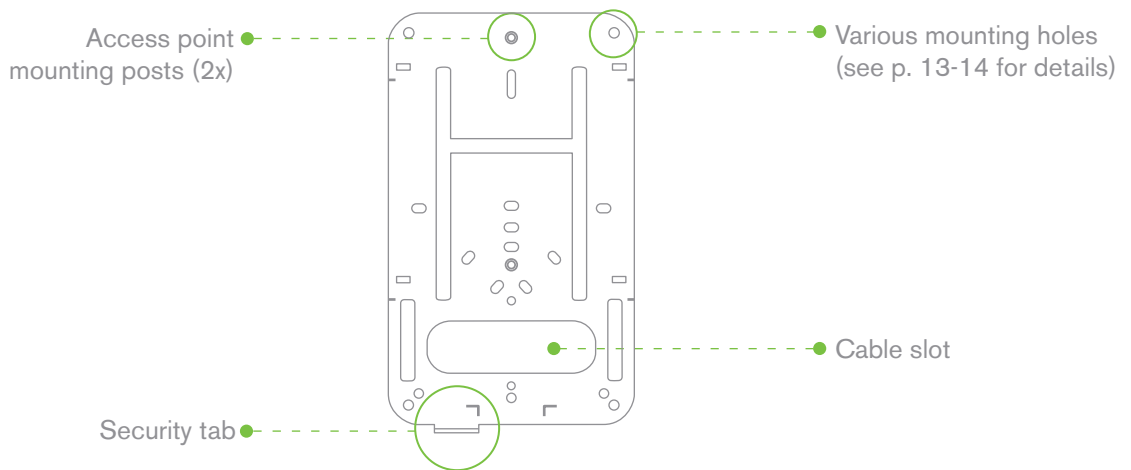


Kensington lock hard point

LED indicators



Your MR14 mount plate has the following features:



2.3 Security Features

The MR14 features multiple options for physically securing the access point after installation:

1. Security screw – The accessory kit includes screws that can be used to secure the access point to the mount plate. Engaging the security screw prevents accidental dislodging and theft.
2. Pad lock – The access point and mount plate contain hard points to allow them to be locked together using a Masterlock 120T or equivalent. Securing the MR14 with a pad lock provides an additional level of theft protection.
3. Kensington lock – The access point contains a hard point that allows it to be secured to any nearby permanent structure using a standard Kensington lock.

2.4 Power Source Options

The MR14 access point can be powered using either a third-party 802.3af PoE switch or the Meraki 802.3af PoE injector (sold separately).

2.5 Factory Reset Button

The Factory Reset Button restores the MR14 to its original factory settings by deleting all configuration information stored on the unit.

2.6 LED Indicators and Run Dark Mode

Your MR14 is equipped with a series of LED lights on the front of the unit to convey information about system functionality and performance.

●	☰	Signal Strength	
●		One Light:	Fair
☰	●	Four Lights:	Strongest
●		Moving Lights:	Searching for Signal
●		Flashing Lights:	Error state. May indicate bad gateway or other routing fault
↔●	⏻	Radio Power	
⏻	●	Off:	MR14 is off
		Solid Orange:	MR14 is booting or trying to find a path to the internet
		Solid Green:	MR14 is fully operational and connected to the network
		Flashing Orange:	Firmware is upgrading
		Flashing Green:	Error state. May indicate bad gateway or other routing fault
	↔	Ethernet	
		Off:	No active network connection at the Ethernet port
		On:	Active network connection at the Ethernet port
		Flashing:	Error state. May indicate bad gateway or other routing fault

The MR14 may be operated in “Run Dark” mode for additional security and to reduce the visibility of the access point. In this mode, the LEDs will not be illuminated. This mode may be enabled through Meraki Dashboard.

2.7 UL 2043 Plenum rating

The MR14 meets the UL 2043 plenum-rating standard. This certifies that the MR14 has adequate fire resistance and low smoke-emission characteristics to be mounted and operated in a building's environmental air spaces, such as above suspended ceilings in an office environment.

3 Pre-Install Preparation

You should complete the following steps before going on-site to perform an installation.

3.1 Configure Your Network in Dashboard

The following is a brief overview only of the steps required to add an MR14 to your network. For detailed instructions about creating, configuring and managing Meraki wireless networks, refer to the Meraki Cloud Controller Manual (meraki.com/library).

1. Login to <http://dashboard.meraki.com>. If this is your first time, create a new account
2. Find the network to which you plan to add your nodes or create a new network.
3. Add your nodes to your network. You will need your Meraki order number (found on your invoice if you ordered directly from Meraki) or the serial number of each node, which looks like Qxxx-xxxx-xxxx, and is found on the bottom of the unit.
4. Finally, go to the map / floor plan view and place each node on the map by clicking and dragging it to the location where you plan to mount it. You can always modify the location later.

3.2 Check and Upgrade Firmware

To ensure your MR14 performs optimally immediately following installation, Meraki recommends that you facilitate a firmware upgrade prior to mounting your MR14.

1. Attach your MR14 to power and a wired Internet connection. See p. 17 of this Hardware Installation Guide for details.
 2. The MR14 will turn on and the Power LED will glow solid orange. If the unit does not require a firmware upgrade, the Power LED will turn green within thirty seconds.
- * If the unit requires an upgrade, the Power LED will begin blinking orange until the upgrade is complete, at which point the Power LED will turn solid green. You should allow about an hour for the firmware upgrade to complete, depending on the speed of your internet connection.

3.3 Check and Configure Firewall Settings

If your network will be located behind a firewall, it must allow outgoing connections on particular ports to particular IP addresses in order for the MR14 to be able to seamlessly communicate with the Cloud Controller.

The most current list of outbound ports and IP addresses can be found here:

<http://tinyurl.com/y79une3>

3.4 Assigning IP Addresses to MR14s

All gateway MR14s (MR14s with Ethernet connections to the LAN) must be assigned routable IP addresses. These IP addresses can be dynamically assigned via DHCP or statically assigned.

3.4.1 Dynamic Assignment

When using DHCP, the DHCP server should be configured to assign a static IP address for each MAC address belonging to a Meraki AP. Other features of the wireless network such as 802.1x authentication, may rely on the property that the APs have static IP addresses.

3.4.2 Static Assignment

Static IPs are assigned using the local web server on each AP. The following procedure describes how to set the static IP:

1. Using a client machine (e.g. a laptop), connect to the AP either wirelessly (by associating to any SSID broadcast by the AP) or over a wired connection.

If using a wired connection, connect the client machine to the MR14 either through a PoE switch or a Meraki PoE Injector. If using a PoE switch, plug an Ethernet cable into the MR14's Ethernet jack, and the other end into a PoE switch. Then connect the client machine over Ethernet cable to the PoE switch. If using a Meraki PoE Injector, connect the MR14 to the "PoE" port of the Injector, and the client machine to the "LAN" port.

2. Using a web browser on the client machine, access the AP's built-in web server by browsing to <http://my.meraki.com>. Alternatively, browse to <http://10.128.128.128>.
3. Click on the "Static IP Configuration" tab. Log in. The default user name is "admin". The default password is the AP's serial number, with hyphens included (e.g. Q2BD-551C-ZYW3).
4. Configure the static IP address, net mask, gateway IP address and DNS servers that this AP will use on its wired connection.
5. If necessary, reconnect the AP to the LAN.

3.5 Collect Tools

You will need the following tools to perform an installation:



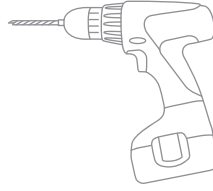
Straight-slot screwdriver



Phillips screwdriver



Hammer

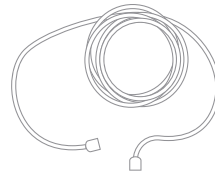


Drill with 9/64" (3.5mm) bits

3.6 Collect Additional Hardware for Installation



802.3af PoE power source (either PoE switch or Meraki 802.3af PoE Injector)



Network cables with RJ45 connectors long enough for your particular mounting location

4 Installation Instructions

4.1 Choose Your Mounting Location

A good mounting location is important to getting the best performance out of your MR14 access point. Keep the following in mind:

1. The device should have unobstructed line of sight to most coverage areas. For example, if installing in an office filled with workspaces divided by mid-height cubicle walls, installing on the ceiling or high on a wall would be ideal.
2. Power over Ethernet supports a maximum cable length of 300 ft (100 m).
3. If being used in a mesh deployment, the MR14 should have line of sight to at least two other Meraki devices. For more detailed instructions regarding access point location selection, reference the Meraki Network Design Guide (meraki.com/library).

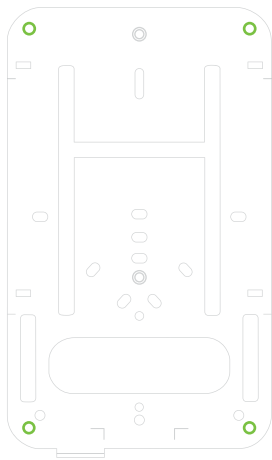
4.2 Install the MR14

For most mounting scenarios, the MR14 mount plate provides a quick, simple, and flexible means of mounting your device. The installation should be done in two steps. First, install the mount plate to your selected location. Then, attach the MR14 to the mount plate.

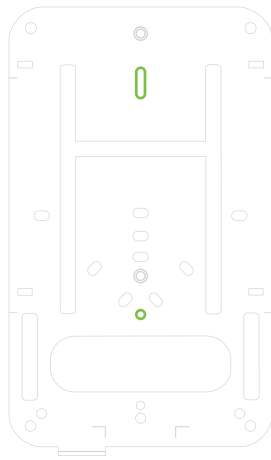
4.2.1 Attach the Mount Plate

The MR14 mount plate can be used to install your access point in a wide range of scenarios: wall or solid ceiling, below a drop ceiling, on various electrical junction boxes, or above a drop ceiling (in the plenum). The mount plate contains a variety of hole patterns that are customized for each installation scenario.

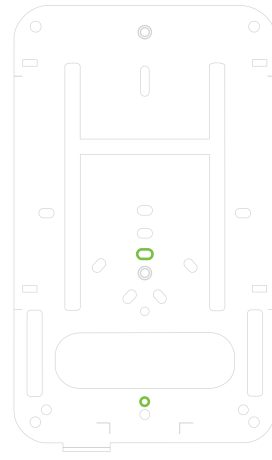
The following images show the hole patterns that should be used for each type of mount:



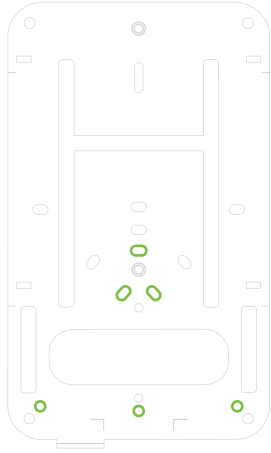
Wall Mount (marked with W on the mount plate)



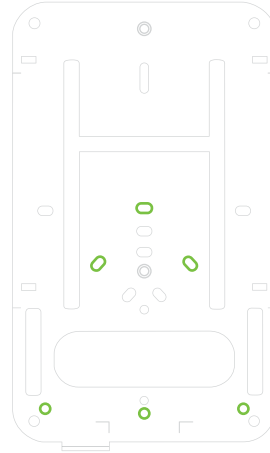
Drop Ceiling (T-Rail) Mount (marked with T on the mount plate)



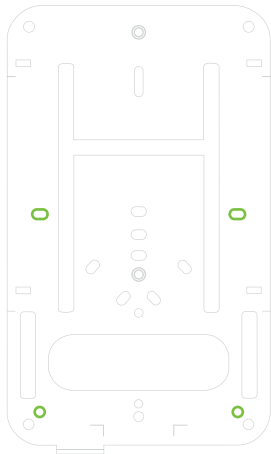
European Outlet Box Mount



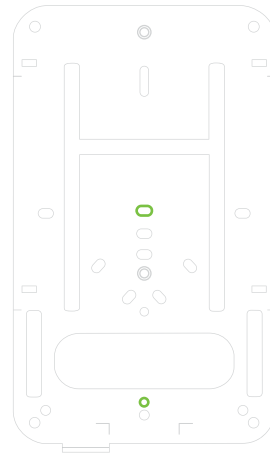
3.5" Round Cable Junction Box
Mount (US style)



4" Round Cable Junction Box
Mount (US style)



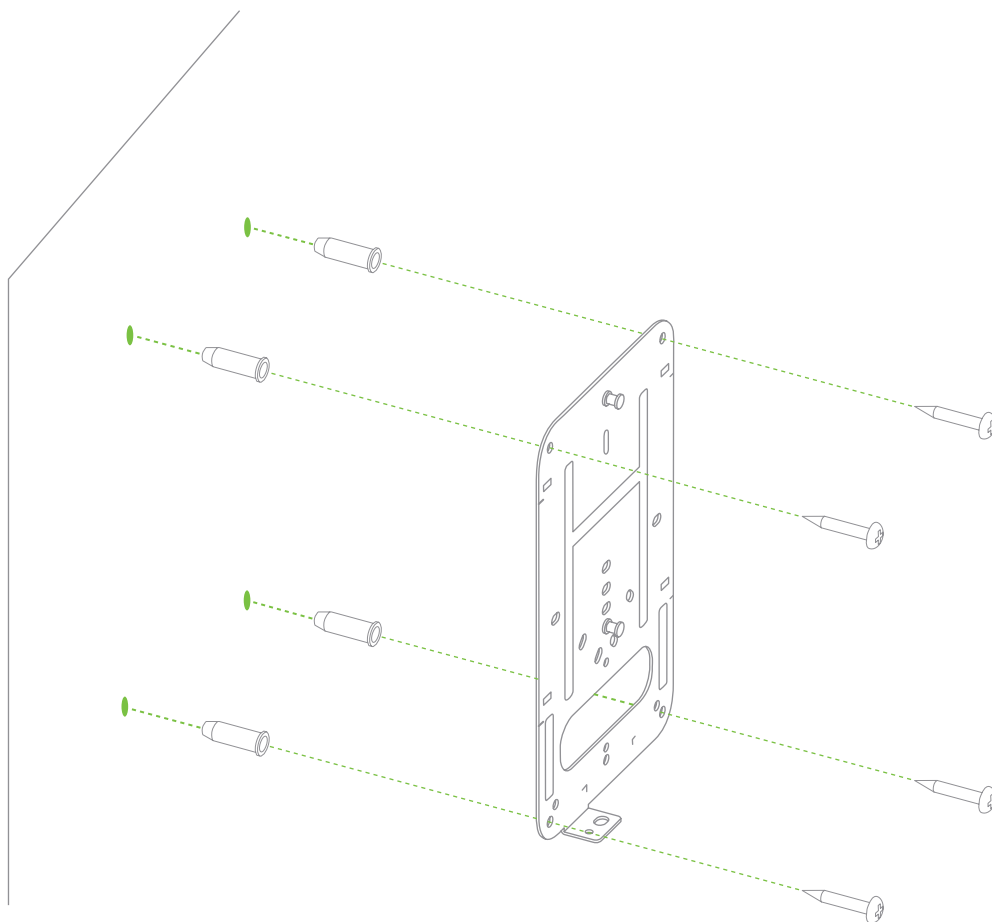
4" Square Cable Junction Box
Mount (US style)



Single-gang Outlet Box
Mount (US style)

4.2.1.1 Wall or Solid Ceiling Mount Using Mount Plate

Using included wall anchors and screws, attach the mount plate to your mounting wall or ceiling.



It is recommended that the MR14 be mounted to a wall or solid ceiling using the mount plate for physical security reasons.

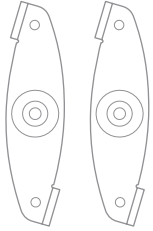


If mounting your MR14 to a wall, skip to "Power the MR14" on P. 17

4.2.1.2 Drop Ceiling Mount Using Mount Plate

To mount your MR14 on a drop ceiling T-rail, use the included drop ceiling mounting accessory kit. The accessory kit can be used to mount to most 9/16", 15/16" or 1 1/2" T-rails.

The kit contains:



Dropped ceiling mounting clips with set screws



6-32x4" screws

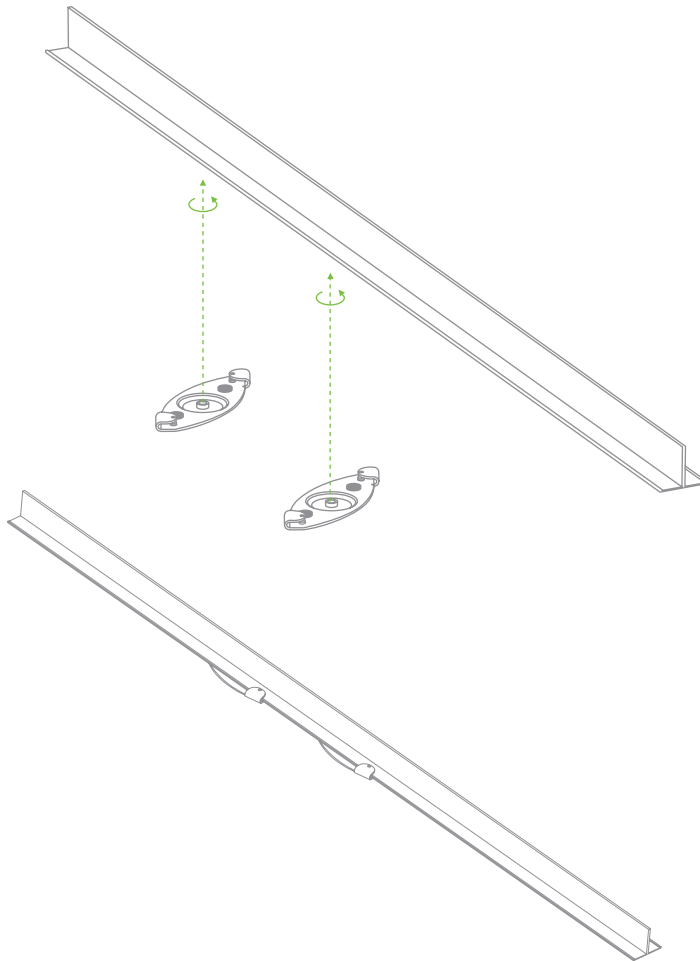


6-32x7" screws

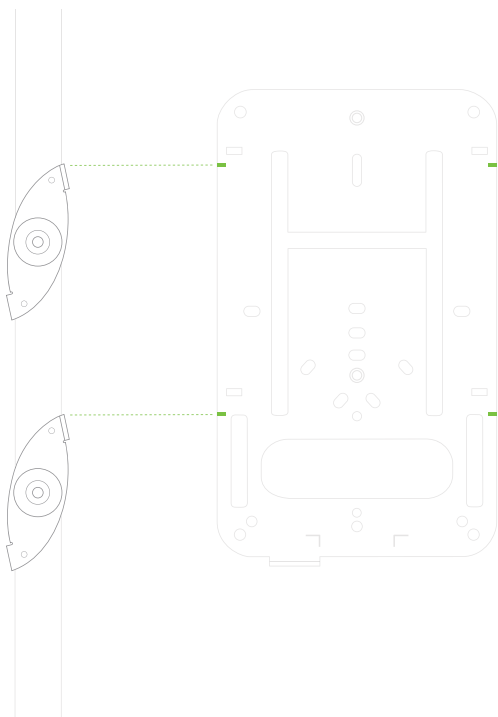


2 rubber spacers
Only used for recessed rail mount (uncommon)

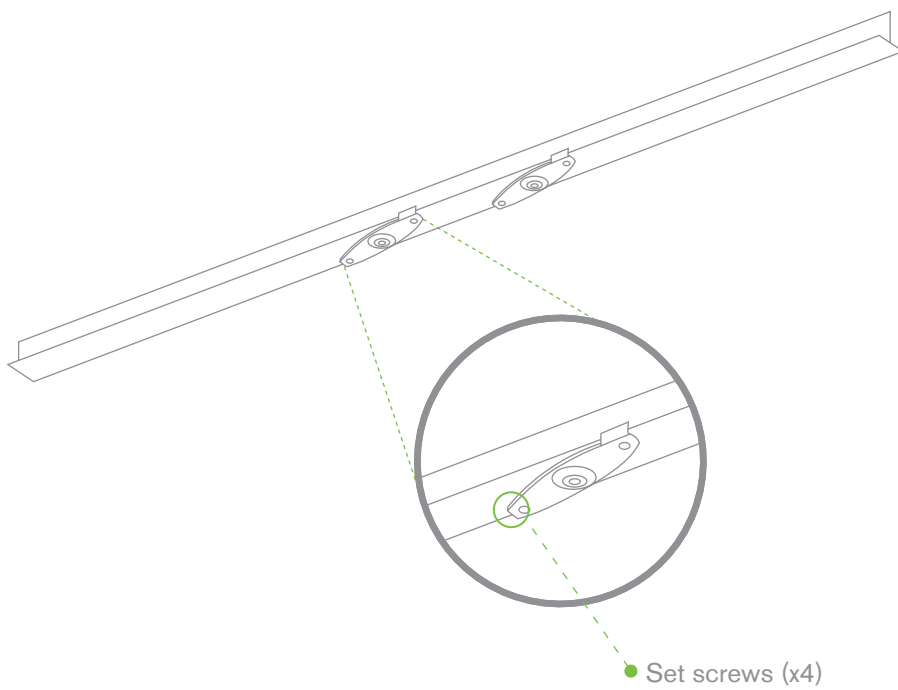
1. Attach the T-rail clips to the T-rail by rotating them and snapping them into place as shown. The black foam pads should be compressed slightly after installation.



2. Using the hash marks on the edge of the mount plate as a guide, set the proper spacing of the T-rail clips on the T-rail



3. Tighten the set screws on the T-rail clips to secure the clips using a 5/64"(2 mm) hex key.



4. Attach the mount plate to the T-rail clips using the mount plate holes (marked with a "T").



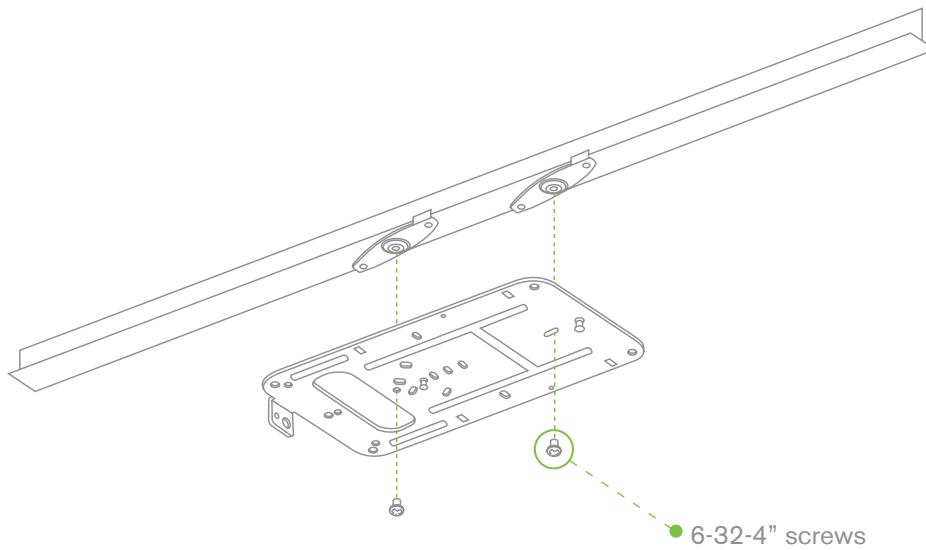
To select the correct set of mounting hardware to use, first determine whether you are mounting to a "flush" or "recessed" rail. (See below images for clarification)

Flush T-rail

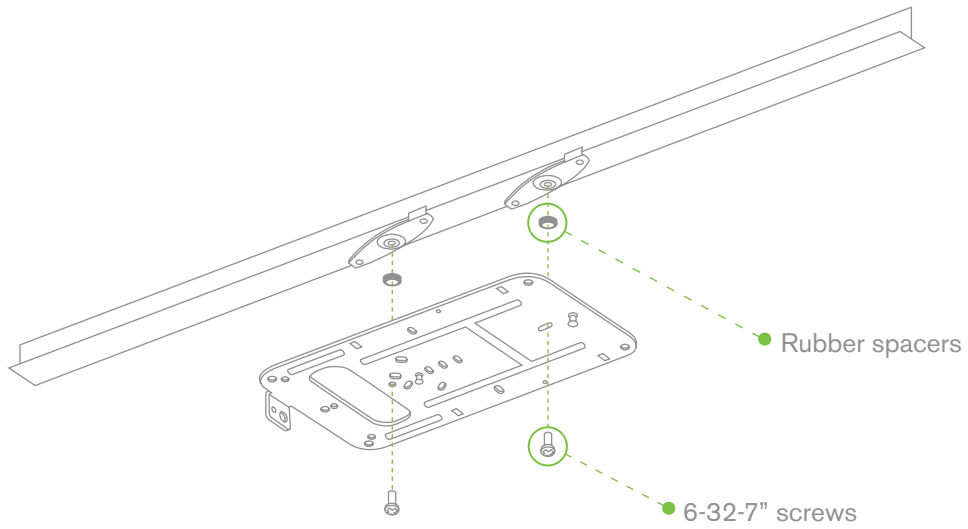
Recessed T-rail



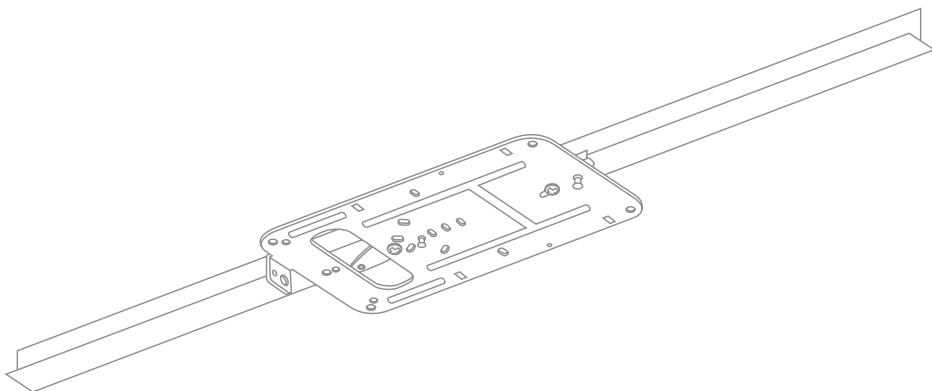
Flush T-rail



Recessed T-rail



! **Tip:** Pre-assemble rubber spacers and screws to the mount plate. The mount plate can then be held with one hand while the other hand holds a screwdriver.

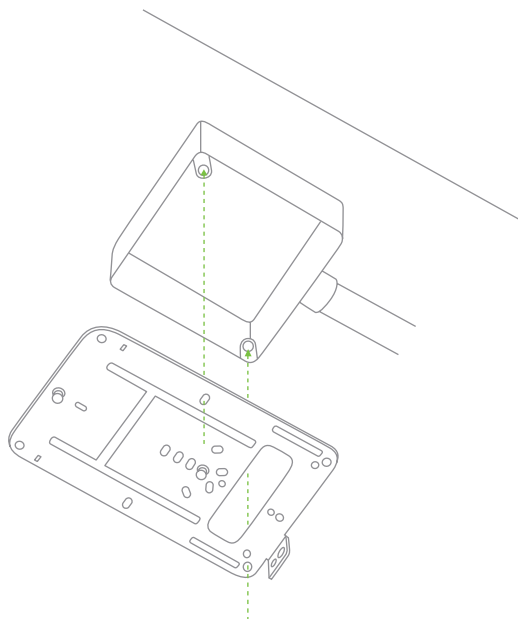


! If mounting your MR14 to a dropped ceiling, skip to "Power the MR14" on p. 17

4.2.1.3 Electrical Junction Box Mount Using Mount Plate

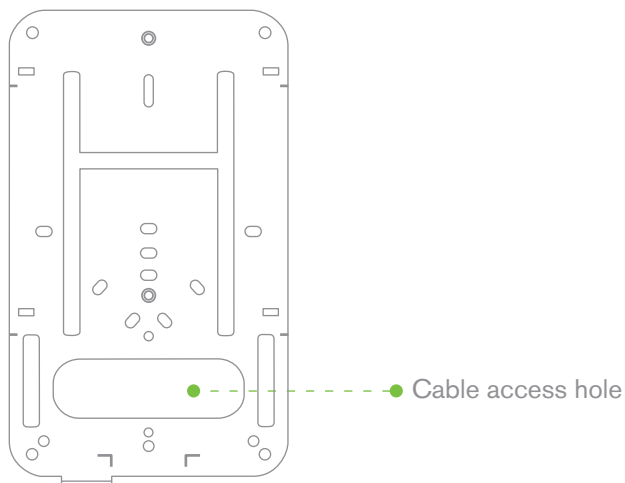
The MR14 can be mounted to a 4" square cable junction box, a 3.5 or 4" round cable junction box, or various U.S. and European outlet boxes (mounting screws are not included).

Using appropriate mounting hardware for your specific type of junction box, attach the mount plate to the junction box.



4.2.2 Power the MR14

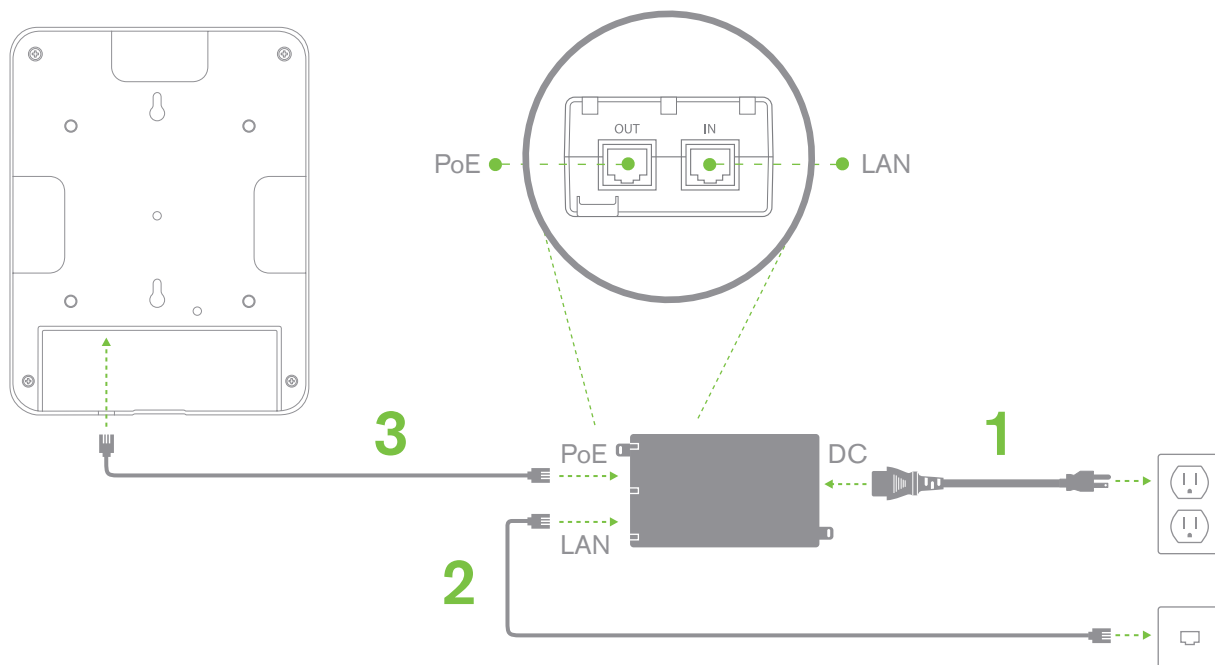
If mounting to an electrical junction box, feed the Ethernet cable through the cable access hole in the Mount Plate:



If mounting to a wall or ceiling, the Ethernet cable will feed through the cable slot on bottom of the MR14.

4.2.2.1 Powering the MR14 with the Meraki 802.3af Power over Ethernet Injector (sold separately)

1. Plug the power cord into the PoE Injector and the other end into wall power.
2. Plug an Ethernet cable that is connected to an active Ethernet connection into the “IN” port on the injector.
3. Route Ethernet cable from the “OUT” port on the injector to the “Eth + PoE” port the cable bay of the MR14.



4.2.2.2 Powering the MR14 with an 802.3af Power over Ethernet Switch

Route Ethernet cable from a port on an active 802.3af PoE switch to the “Eth + PoE” port in the bay of the MR14.

! The MR14 is Gigabit Ethernet-capable. To maximize device performance, a Gigabit-capable switch should be used.

4.2.3 Mount the MR14

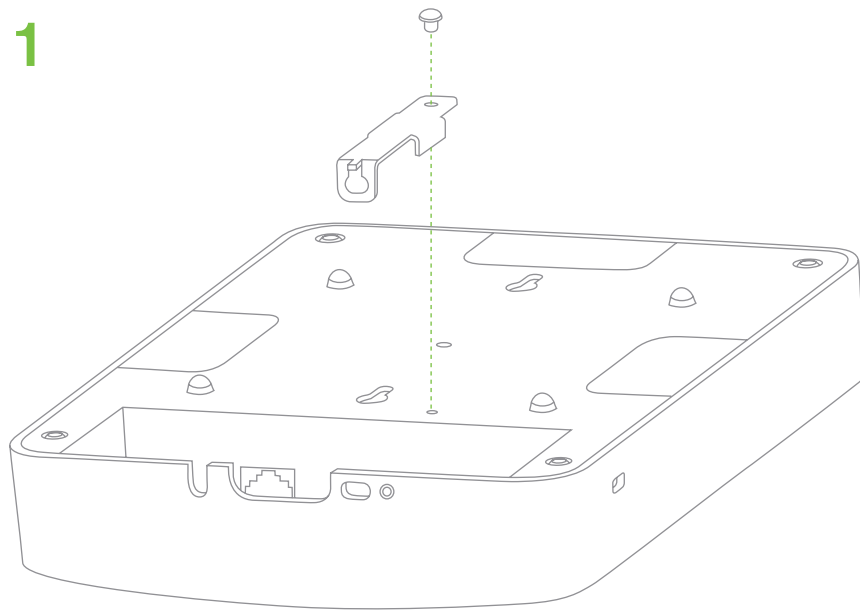
4.2.3.1 Assemble Security Hasp to the MR14

The Security Hasp prevents the MR14 from being forcibly removed from the mount plate when using a padlock.

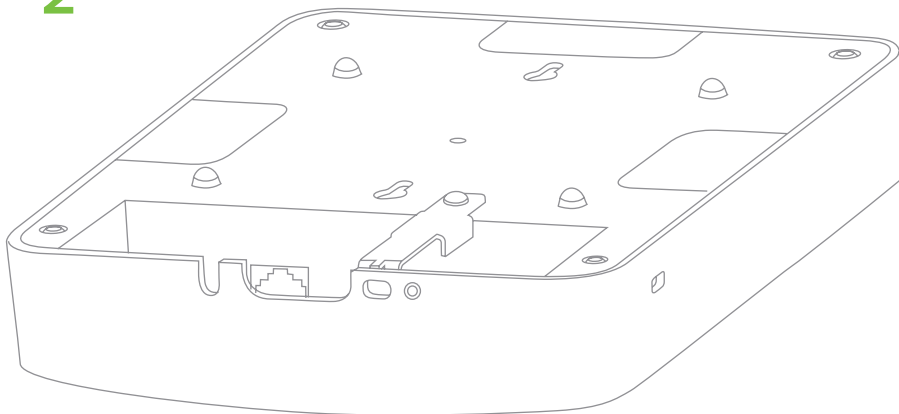
! If not planning to secure MR14 with a pad lock, skip to section 4.2.3.2
(Security hasp only required for pad lock install).

Attach security hasp to MR14 using included screw.

1



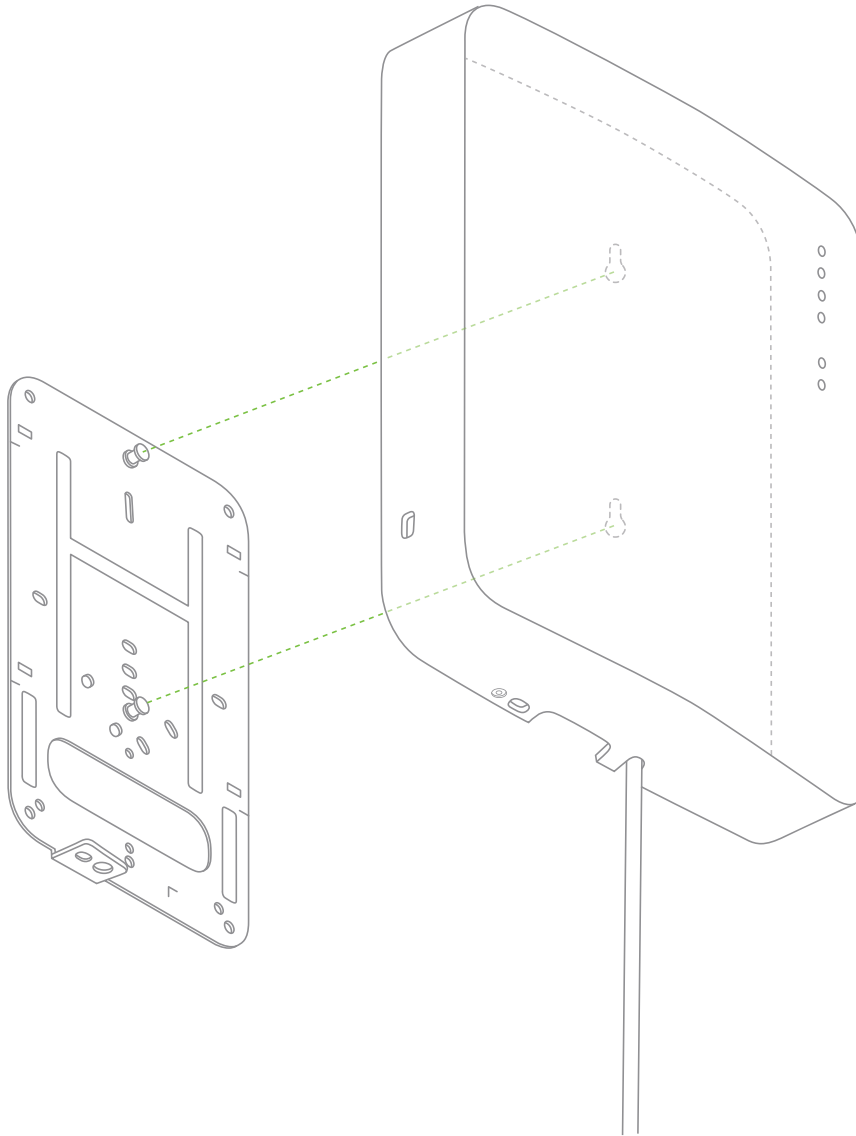
2



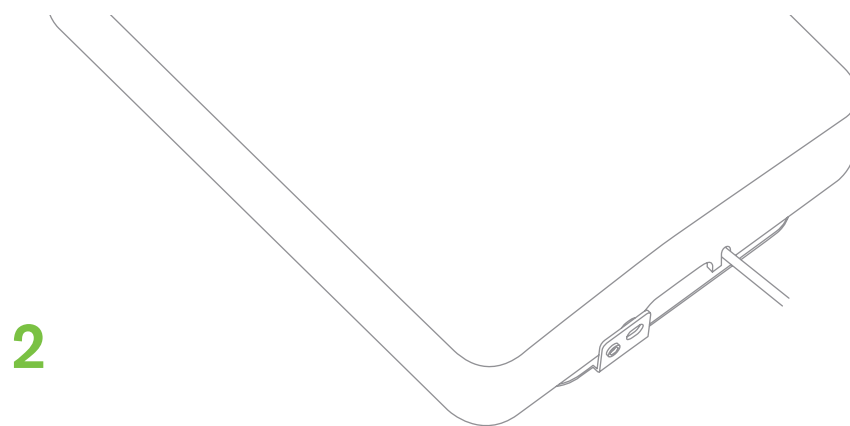
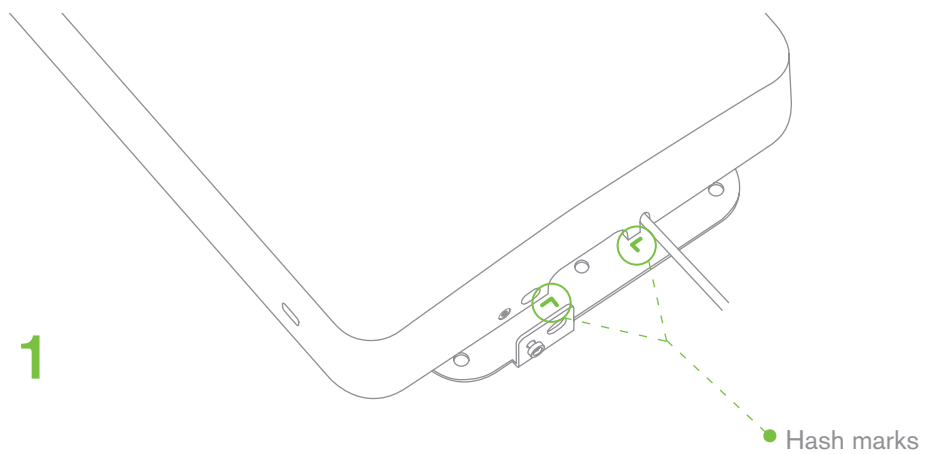
4.2.3.2 Assemble MR14 to the Mount Plate

(This section applies to wall and/or solid ceiling, drop ceiling or electrical junction box mount where you have already installed the mount plate.)

Insert the posts on the mount plate into the mount plate attachment slots on the back of the device.



To line the access point mounting posts up with the mount plate attachment slots properly, line up the corners of the pad lock slot on the bottom of the unit with the two hash marks on the mount plate. Then slide the unit down until it clicks into place.



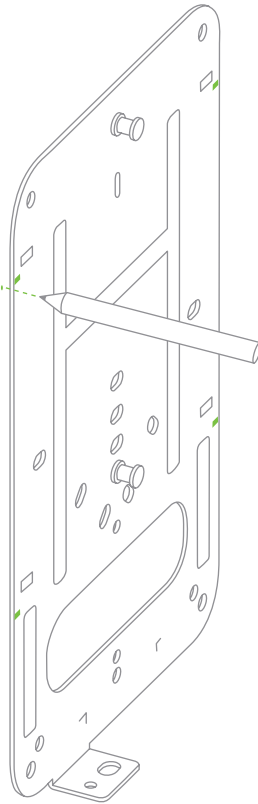
4.2.3.3 Desk or Shelf Mount

The MR14 can be placed on a desk or shelf resting on the non-scratch rubber feet. The mount plate is not necessary for a desk or shelf mounting.

4.2.3.4 Wall or Solid Ceiling Mount without Mount Plate

The MR14 can also be mounted on a wall without using the mount plate. This may be desired when an existing wall screw is available or for speed of installation (only two screws need to be installed instead of four for the mount plate).

Using the hash marks on the edge of the mount plate as a template for hole spacing, mark the locations to install screws in the wall using a pencil.



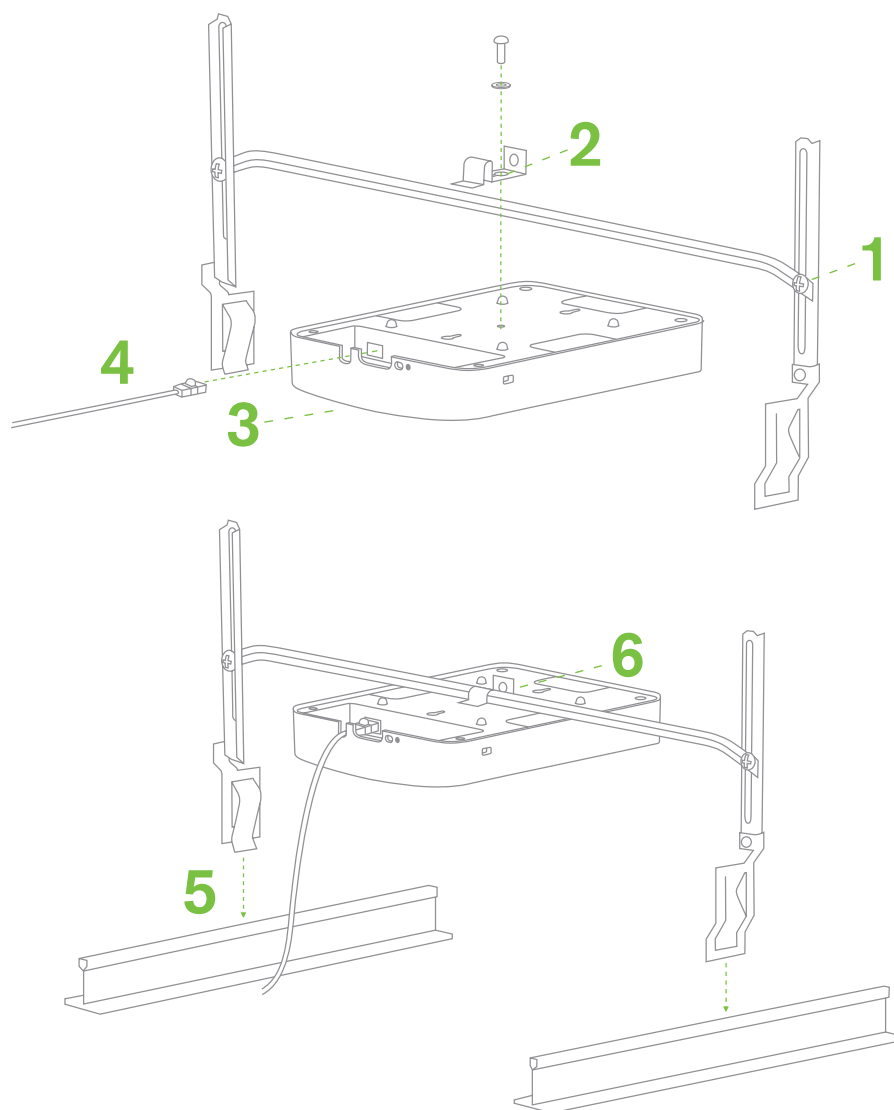
Install appropriate screws in the wall at the marked locations. Maximum screw head diameter should be 0.22" (5.5 mm). Leave approximately 0.3" (7.5 mm) of screw sticking out of the wall.

4.2.3.5 Plenum Mount (Above Drop Ceiling)

The MR14 can be mounted to the T-bar grid above the tiles of a drop ceiling using a 3rd party T-bar box hanger (not included). The Erico Caddy 512A is recommended and is used in installation instruction illustrations.

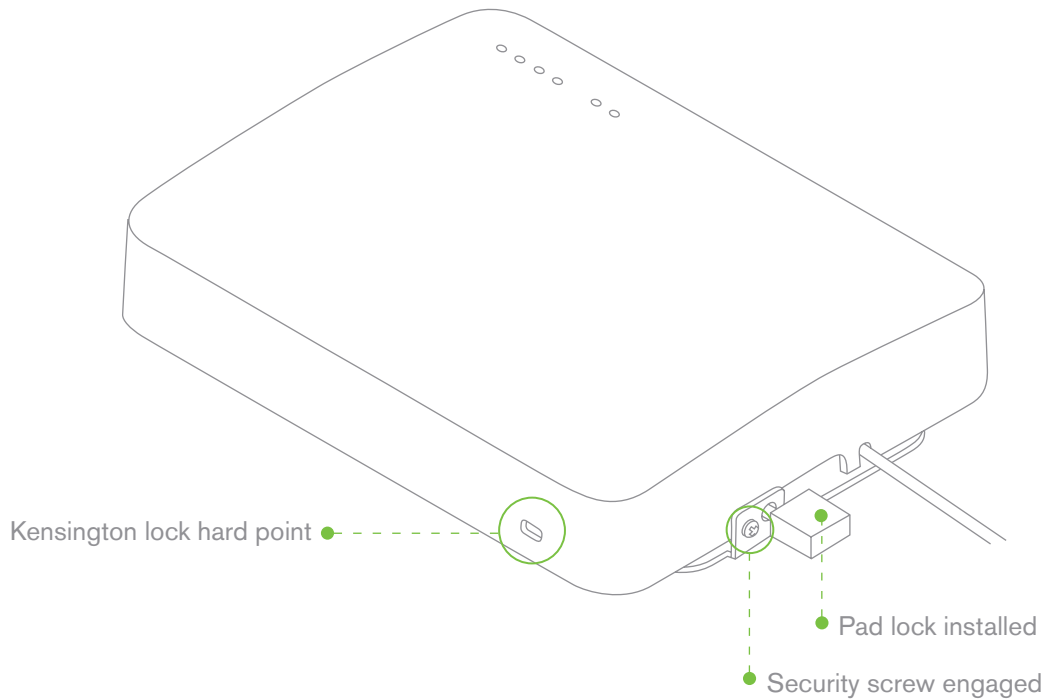
Note: a UL2043-rated Ethernet cable should be used for a plenum installation.

1. Adjust the height of the T-bar box hanger crossbar to make sure there is adequate clearance between the access point and the top of the ceiling tiles. Tighten the height adjusting screws.
2. Attach the bracket mounting clip (included with T-bar box hanger) to the center of the T-bar box hanger crossbar.
3. Attach the MR14 to the access point mounting bracket using a 6-32 screw and washer (not included with T-bar box hanger) and the multi-purpose mounting hole on the back of the access point (referenced on p. 7.)
4. Connect Ethernet cable to jack and route cable through cable slot.
5. Securely attach the clips on either side of the T-bar box hanger to the suspended ceiling grid T-rails.
6. Connect a grounding wire (not included with T-bar box hanger) to the grounding hole in the bracket mounting clip and to metal building structure. A grounding wire is required to comply with the U.S. National Electric Safety Code.



4.3 Secure the MR14

Depending on your mounting environment, you may want to secure the MR14 to its mount location. Your MR14 can be secured in several ways. If the MR14 has been installed using the mount plate, it can be secured via security screw (Torx and phillips head security screws are included; choose one), Masterlock 120T or equivalent pad lock and/or Kensington lock. If the mount plate was not used, the MR14 can still be secured using a Kensington lock.



Device secured with security screw and pad lock

4.3.1 Security Screw

Install the security screw in the lower mount plate tab as shown.

4.3.2 Pad Lock

Make sure the security hasp has been pre-assembled per section 4.2.3.1 before mounting the MR14 to the mount plate. Attach pad lock (Masterlock 120T or equivalent) to pad lock hard point on bottom of device.

4.3.3 Kensington Lock

Attach a Kensington lock cable to the access point at the hard point on the side of the device. Attach the other end of the cable to a secure location, such as a pipe or building fixture.

4.4 Verify Device Functionality and Test Network Coverage

1. Check LEDs

The Radio Power LED should be solid green. If it is flashing orange, the firmware is automatically upgrading and the LED should turn green when the upgrade is completed (normally in under thirty minutes). If the device is a gateway, the Ethernet LED and the four Signal Strength LEDs should be green as well. If the device is a repeater only, the Ethernet LED will not be illuminated and the number of green Signal Strength LEDs will show the signal strength to the nearest Meraki device. See section 2.6 for further details about information conveyed by the LEDs.

Note: Your MR14 must have an active route to the Internet to check and upgrade its firmware.

2. Verify access point connectivity

Use any 802.11 client device to connect to the MR14 and verify proper connectivity using the client's web browser.

3. Check network coverage

Confirm that you have good signal strength throughout your coverage area. You can use the signal strength meter on a laptop, smart phone, or other wireless device.

5 Troubleshooting

Reference the Meraki knowledge base at <http://meraki.com/help/kb> for additional information and troubleshooting tips.

6 Regulatory Information

U.S. Regulatory Wireless Notice

Federal Communication Commission Interference Statement:

This equipment has been tested and found to comply with the limits for a Class B digital device, pursuant to Part 15 of the FCC Rules. These limits are designed to provide reasonable protection against harmful interference in a residential installation. This equipment generates, uses and can radiate radio frequency energy and, if not installed and used in accordance with the instructions, may cause harmful interference to radio communications. However, there is no guarantee that interference will not occur in a particular installation. If this equipment does cause harmful interference to radio or television reception, which can be determined by turning the equipment off and on, the user is encouraged to try to correct the interference by one of the following measures:

- Reorient or relocate the receiving antenna.
- Increase the separation between the equipment and receiver.
- Connect the equipment into an outlet on a circuit different from that to which the receiver is connected.
- Consult the dealer or an experienced radio/TV technician for help.

FCC Caution:

Any changes or modifications not expressly approved by the party responsible for compliance could void the user's authority to operate this equipment.

This device complies with Part 15 of the FCC Rules. Operation is subject to the following two conditions:

- this device may not cause harmful interference, and
- this device must accept any interference received, including interference that may cause undesired operation.

FCC Radiation Exposure Statement:

This equipment complies with FCC radiation exposure limits set forth for an uncontrolled environment. This equipment should be installed and operated with minimum distance 20 cm between the radiator and your body. This transmitter must not be co-located or operating in conjunction with any other antenna or transmitter.

IEEE 802.11b or 802.11g operation of this product in the USA is firmware-limited to channels 1 through 11.

If this device is going to be operated in 5.15 ~ 5.25 GHz frequency range, then it is restricted in indoor environment only.

Canadian Regulatory Wireless Notice

This device complies with RSS-210 of the Industry Canada Rules. Operation is subject to the following two conditions:

- this device may not cause interference and
- this device must accept any interference, including interference that may cause undesired operation of the device.

IC Radiation Exposure Statement:

This equipment complies with IC radiation exposure limits set forth for an uncontrolled environment. This equipment should be installed and operated with minimum distance 20 cm between the radiator and your body.

Europe – EU Declaration of Conformity

This device complies with the essential requirements of the R&TTE Directive 1999/5/EC.

The following test methods have been applied in order to prove presumption of conformity with the essential requirements of the R&TTE Directive 1999/5/EC:

Radio:	EN 300 328, EN 301
EMC:	EN 301 489-1, EN 301 489-17
Safety:	EN 60950-1
RF Exposure:	EN 50385
Emissions:	EN 55022, EN 61000-3-2, EN 61000-3-3
Immunity:	EN 61000-4-2, EN 61000-4-3, EN 61000-4-4, EN 61000-4-5, EN 61000-4-6, EN 61000-4-11

This device is a 2.4 GHz and 5 GHz wideband transmission system (transceiver), intended for use in all EU member states and EFTA countries with the following restrictions:

In Italy the end-user should apply for a license at the national spectrum authorities in order to obtain authorization to use the device for setting up outdoor radio links and/or for supplying public access to telecommunications and/or network services.

The device may not be used in the 5 GHz spectrum unless the 5.725 - 5.875 GHz and has been disabled. This can be done through the Meraki Dashboard.



Česky (Czech)

Meraki, Inc. tímto prohlašuje, že tento wireless device je ve shodě se základními požadavky a dalšími příslušnými ustanoveními směrnice.

Dansk (Danish)

Undertegnede Meraki, Inc. erklærer herved, at følgende udstyr wireless device overholder de væsentlige krav og øvrige relevante krav i direktiv 1999/5/EF.

Deutsch (German)

Hiermit erklärt Meraki, Inc., dass sich das Gerät wireless device in Übereinstimmung mit den grundlegenden Anforderungen und den übrigen einschlägigen Bestimmungen der Richtlinie 1999/5/EG befindet.

Eesti (Estonian)

Käesolevaga kinnitab Meraki, Inc. seadme wireless device vastavust direktiivi 1999/5/EÜ põhinõuetele ja nimetatud direktiivist tulenevatele.

English

Hereby, Meraki, Inc., declares that this wireless device is in compliance with the essential requirements and other relevant provisions of Directive 1999/5/EC.

Español (Spanish)

Por medio de la presente Meraki, Inc. declara que el wireless device cumple con los requisitos esenciales y cualesquiera otras disposiciones aplicables o exigibles de la Directiva 1999/5/CE.

Ελληνική (Greek)

ΜΕ ΤΗΝ ΠΑΡΟΥΣΑ Meraki, Inc. ΔΗΛΩΝΕΙ ΟΤΙ wireless device ΣΥΜΜΟΡΦΩΝΕΤΑΙ ΠΡΟΣ ΤΙΣ ΟΥΣΙΩΔΕΙΣ ΑΠΑΙΤΗΣΕΙΣ ΚΑΙ ΤΙΣ ΛΟΙΠΕΣ ΣΧΕΤΙΚΕΣ ΔΙΑΤΑΞΕΙΣ ΤΗΣ ΟΔΗΓΙΑΣ 1999/5/ΕΚ.

Français (French)

Par la présente Meraki, Inc. déclare que l'appareil wireless device est conforme aux exigences essentielles et aux autres dispositions pertinentes de la directive 1999/5/CE.

Italiano (Italian)

Con la presente Meraki, Inc. dichiara che questo wireless device è conforme ai requisiti essenziali ed alle altre disposizioni pertinenti stabilite dalla direttiva 1999/5/CE.

Latviski (Latvian)

Ar šo Meraki, Inc. deklarē, ka wireless device atbilst Direktīvas 1999/5/EK būtiskajām prasībām un citiem ar to saistītajiem noteikumiem.

Lietuvių (Lithuanian)

Šiuo Meraki, Inc. deklaruoja, kad šis wireless device atitinka esminius reikalavimus ir kitas 1999/5/EB Direktyvos nuostatas.

Nederland (Dutch)

Hierbij verklaart Meraki, Inc. dat het toestel wireless device in overeenstemming is met de essentiële eisen en de andere relevante bepalingen van richtlijn 1999/5/EG.

Malti (Maltese)

Hawnhekk, Meraki, Inc., jiddikjara li dan wireless device jikkonforma mal-ħtigijiet essenzjali u ma provvedimenti oħrajn rilevanti li hemm fid-Dirrettiva 1999/5/EC.

Magyar (Hungarian)

Alulírott, Meraki, Inc. nyilatkozom, hogy a wireless device megfelel a vonatkozó alapvető követelményeknek és az 1999/5/EC irányelv egyéb előírásainak.

Polski (Polish)

Niniejszym Meraki, Inc. oświadcza, że wireless device jest zgodny z zasadniczymi wymogami oraz pozostałymi stosownymi

Português (Portuguese)

Meraki, Inc. declara que este wireless device está conforme com os requisitos essenciais e outras disposições da Directiva 1999/5/CE.

Slovensko (Slovenian)

Meraki, Inc. izjavlja, da je ta wireless device v skladu z bistvenimi zahtevami in ostalimi relevantnimi določili direktive 1999/5/ES.

Slovensky (Slovak)

Meraki, Inc. týmto vyhlasuje, že wireless device splna základné požiadavky a všetky príslušné ustanovenia Smernice 1999/5/ES.

Suomi (Finnish)

Meraki, Inc. vakuuttaa täten että wireless device tyypinen laite on direktiivin 1999/5/EY oleellisten vaatimusten ja sitä koskevien direktiivin muiden ehtojen mukainen.

Svenska (Swedish)

Härmed intygar Meraki, Inc. att denna wireless device står i överensstämmelse med de väsentliga egenskapskrav och övriga relevanta bestämmelser som framgår direktiv 1995/5/EG.

Copyright

© 2009 Meraki, Inc. All rights reserved.

Trademarks

Meraki® is a registered trademark of Meraki, Inc.

www.meraki.com
660 Alabama St.
San Francisco, California 94110
Phone: +1 415 632 5900
Fax: +1 415 632 5890

